



# Brilliance & Beauty



ALUMINIUM  
& GLASS  
CONTROLS

---

PRODUCT  
CATALOGUE

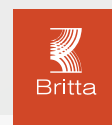


## About Us

**Founded in 2009**, Britta emerged from a deep-rooted passion for precision craftsmanship and a commitment to enduring quality. Our story began in the heart of Europe, where centuries-old traditions of metalworking and design converge with modern innovation. We recognized a gap in the market for premium hardware that not only met the highest standards of functionality but also embodied the elegance and sophistication synonymous with European design.

From the outset, our mission was clear: to create hardware products that would stand the test of time, both in terms of durability and style. Every piece in our collection is meticulously crafted using the finest materials, with a focus on detail that ensures exceptional performance in any setting. Our European heritage inspires us to blend traditional techniques with cutting-edge technology, resulting in products that are as beautiful as they are resilient.

Over the years, Britta has earned a reputation for excellence, becoming the go-to choice for discerning customers who demand the best. Today, we continue to uphold our founding principles, delivering hardware solutions that elevate spaces and exceed expectations. Britta is not just hardware; it's a statement of quality, luxury, timeless design.



OUR STORY

AT **BRITTA**



FLOOR  
SPRING

## In crafting premium floor springs

At Britta, our journey in crafting premium floor springs began with a singular vision: to combine unparalleled quality with flawless functionality. Understanding that a floor spring is the silent workhorse in any door system, we sought out the very best manufacturers across Europe, where precision engineering and attention to detail have been perfected over generations.

Each of our floor springs is a testament to this legacy. We meticulously source components from top-tier suppliers known for their expertise in metalwork and mechanical design. Every spring is crafted with a focus on precision, ensuring smooth and reliable movement that withstands the rigors of daily use.

But we don't stop at craftsmanship alone. Our floor springs undergo rigorous testing to meet the highest standards of durability and performance. Each unit is subjected to extensive cycles of operation, ensuring that it delivers consistent, seamless motion, even in the most demanding environments. When you choose Britta floor springs, you're investing in a product that embodies excellence in every detail. Designed to last and engineered for perfection, our floor springs are the ideal choice for those who refuse to compromise on quality.

[www.brittaglobal.com](http://www.brittaglobal.com)



# FLOOR SPRINGS

# FLOOR SPRING HEAVY DUTY

# BR-5601

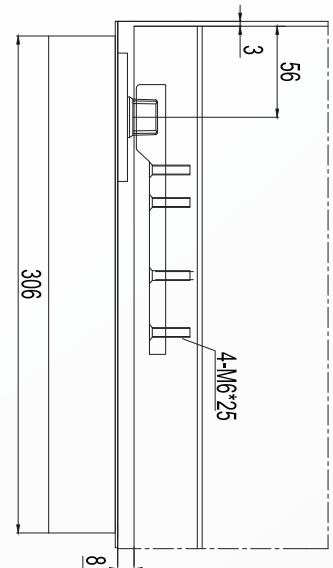
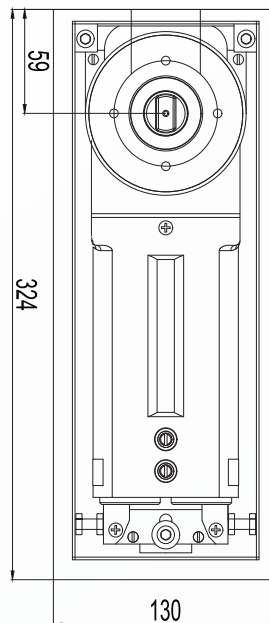
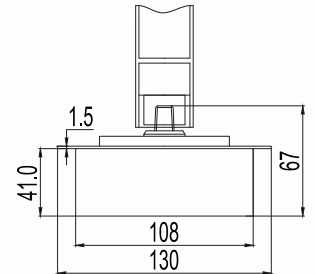
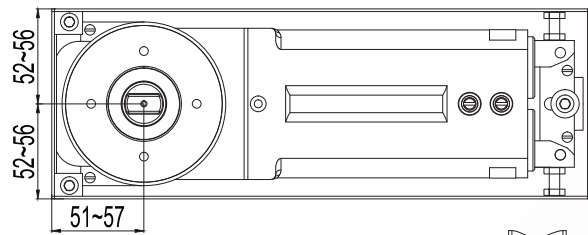


## Materials

Stainless Steel 304

## Standard Finishes

Art No.	Colour
5601/4989	SSS
5601/5012	PSS



## Description

The Heavy Duty Floor Spring is engineered for high-traffic glass doors, providing superior durability and performance. It features adjustable closing and latching speeds to cater to different needs. This floor spring supports door weights up to 120kg, ensuring reliable operation even in demanding environments. Its robust construction makes it ideal for commercial use, offering long-lasting functionality and ease of use for single and double action doors.

## Packing

4 pairs in each box



## DOOR CLOSER

OUR STORY

AT **BRITTA**



DOOR  
CLOSER

## Crafted Precision, Enduring Reliability: The Hydraulic Door Closer

Our hydraulic door closer is a testament to European craftsmanship, blending time-honored tradition with cutting-edge engineering. Born from a heritage of precision and innovation, it represents the best of our commitment to functional elegance. Designed with durability in mind, every component is meticulously crafted to withstand the rigors of daily use, ensuring smooth, controlled door closure every time. With a robust build and premium materials, this door closer offers unmatched reliability. Whether in high-traffic areas or quiet residential spaces, its performance remains consistent, providing both safety and convenience.

The adjustable closing speeds and easy installation make it adaptable to a variety of settings, from homes to commercial buildings. Our hydraulic door closers are more than just a solution—they are a promise of quality and long-lasting service, embodying the core values of European engineering excellence.

[www.brittaglobal.com](http://www.brittaglobal.com)



# DOOR CLOSER HYDRAULIC

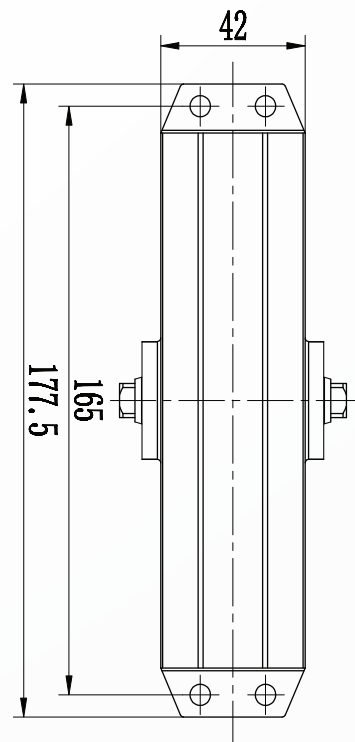
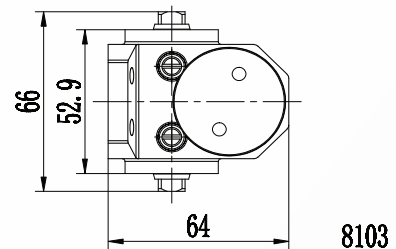
## BR-5502

### Materials

Stainless Steel 304

### Standard Finishes

Art No.	Colour
5502/5003	Beige
5502/5002	Black
5502/5004	White
5502/5001	Silver
5502/1594	RAL 8017



### Description

The Hydraulic Door Closer offers smooth and controlled closing for glass doors, making it ideal for both commercial and residential applications. An optional hold-open function is available for convenience. This door closer supports door weights up to 80 kg and provides reliable, long-lasting operation. Suitable for various mounting options, it ensures safety and ease of use for all types of glass and aluminum doors.

### Packing

10 pairs in each box



## DOOR HANDLES

# EURO HINGE DOOR HANDLE

## BR-5401

### Materials

Plastic lid  
Stainless Steel  
Aluminium Die cast

### Standard Finishes

Art No.	Colour	Dimensions (mm)	
		D	G
5401/2469	Beige	90	133
5401/2470	Black	90	133
5401/2471	White	90	133
5401/3594	Brown	90	133
5401/3028	RAL 9010	90	133

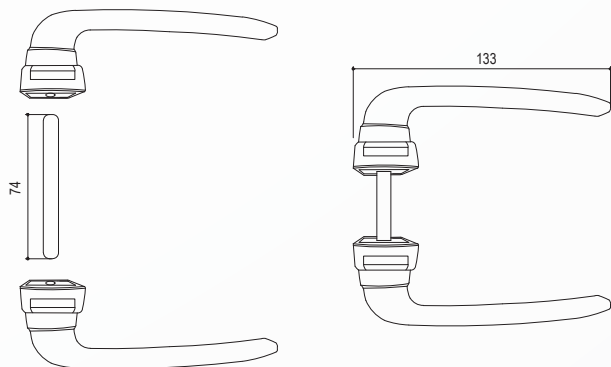
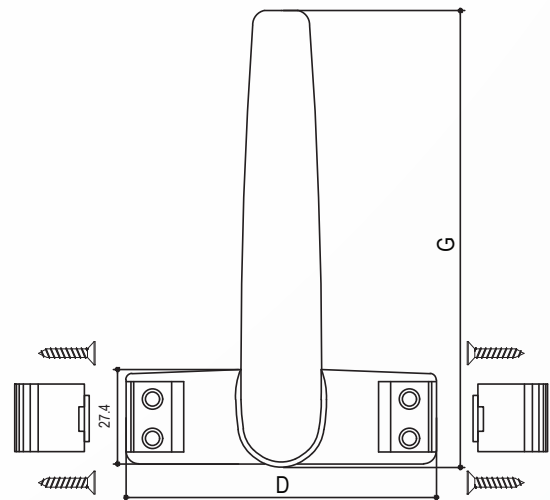


### Description

This door handle combines aluminum die cast, stainless steel, and a plastic lid, providing robust construction and reliable performance with a secure four-screw mounting.

### Packing

25 pcs in each box



# EURO HINGE DOOR HANDLE

## BR-5402



### Materials

Plastic Base  
Stainless Steel  
Aluminium Die cast

### Standard Finishes

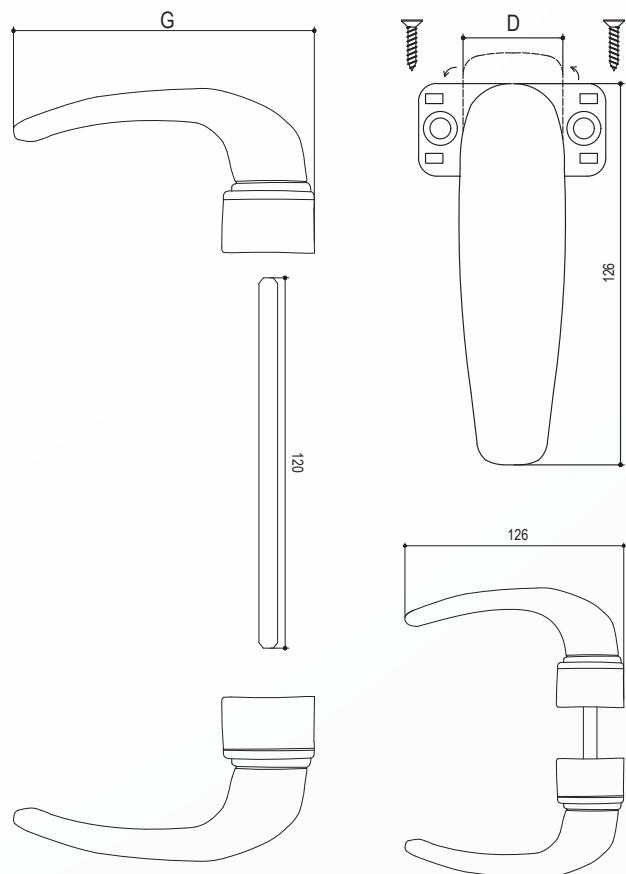
Art No.	Colour	Dimensions (mm)	
		D	G
5402/165	Beige	32.3	126
5402/166	Black	32.3	126
5402/167	White	32.3	126

### Description

Crafted from aluminum die cast, stainless steel, and plastic base, this door handle offers durability and secure mounting with a two-screw design.

### Packing

24 pcs in each box



# EURO HINGE DOOR HANDLE (HEAVY DUTY)

## BR-5407



### Materials

Plastic Base  
Stainless Steel  
Aluminium Die cast

### Standard Finishes

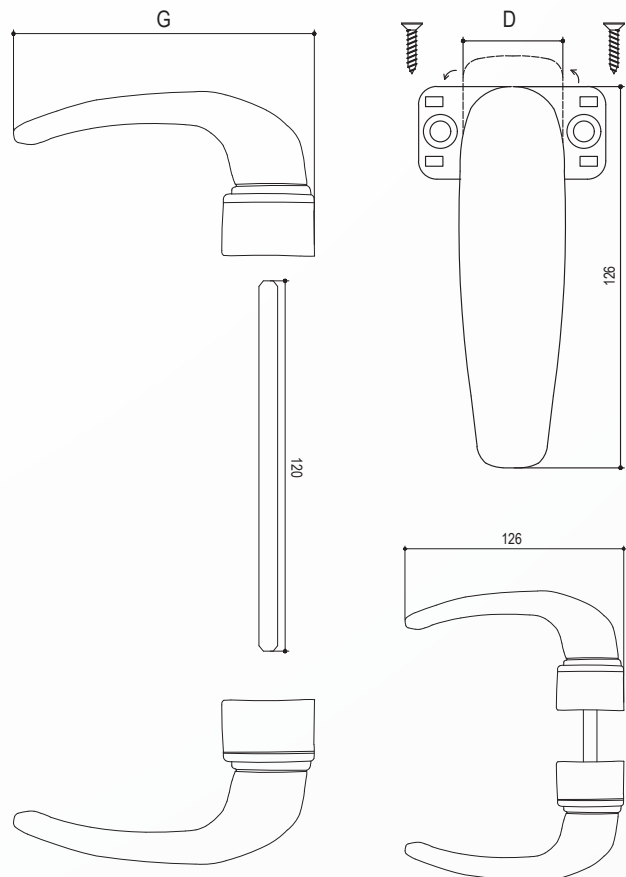
Art No.	Colour	Dimensions (mm)	
		D	G
5407/1161	Beige	32.3	126
5407/1162	Black	32.3	126
5407/1164	White	32.3	126

### Description

Crafted from aluminum die cast, stainless steel, and plastic base, this door handle offers durability and secure mounting with a two-screw design.

### Packing

24 pcs in each box



# EURO HINGE DOOR HANDLE BR-5408 (HEAVY DUTY)

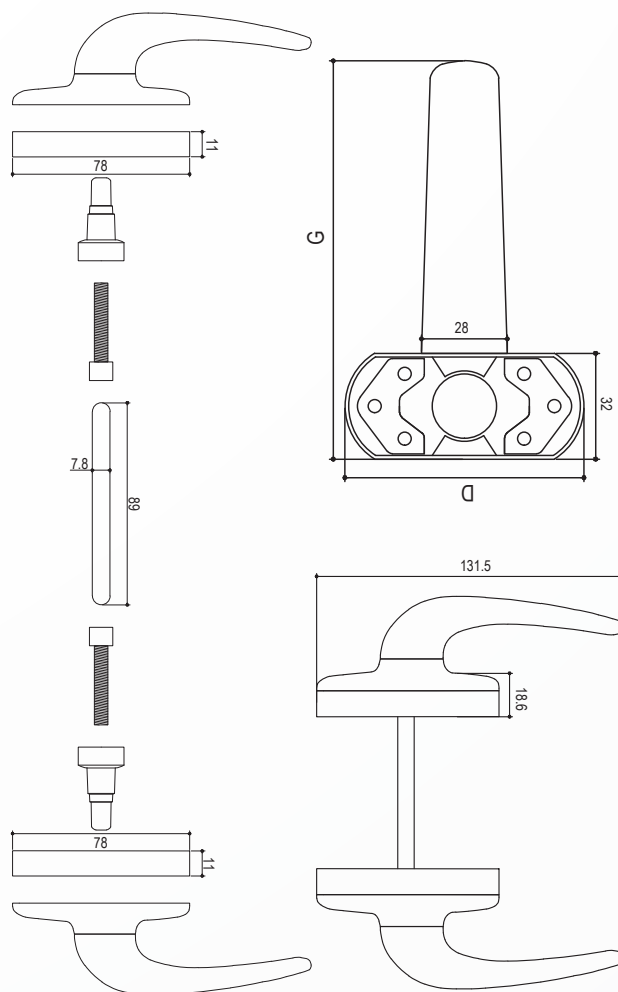


## Materials

Zinc Alloy  
Plastic POM  
Stainless Steel  
Aluminium Die cast

## Standard Finishes

Art No.	Colour	Dimensions (mm)	
		D	G
5408/2606	Beige	78	130
5408/2605	Black	78	130
5408/2582	White	78	130
5408/2655	Mill Finish	78	130



## Description

Constructed from aluminum die cast, stainless steel, plastic POM, and zinc alloy, this heavy-duty door handle provides reliable performance with a secure six-screw design.

## Packing

24 pcs in each box

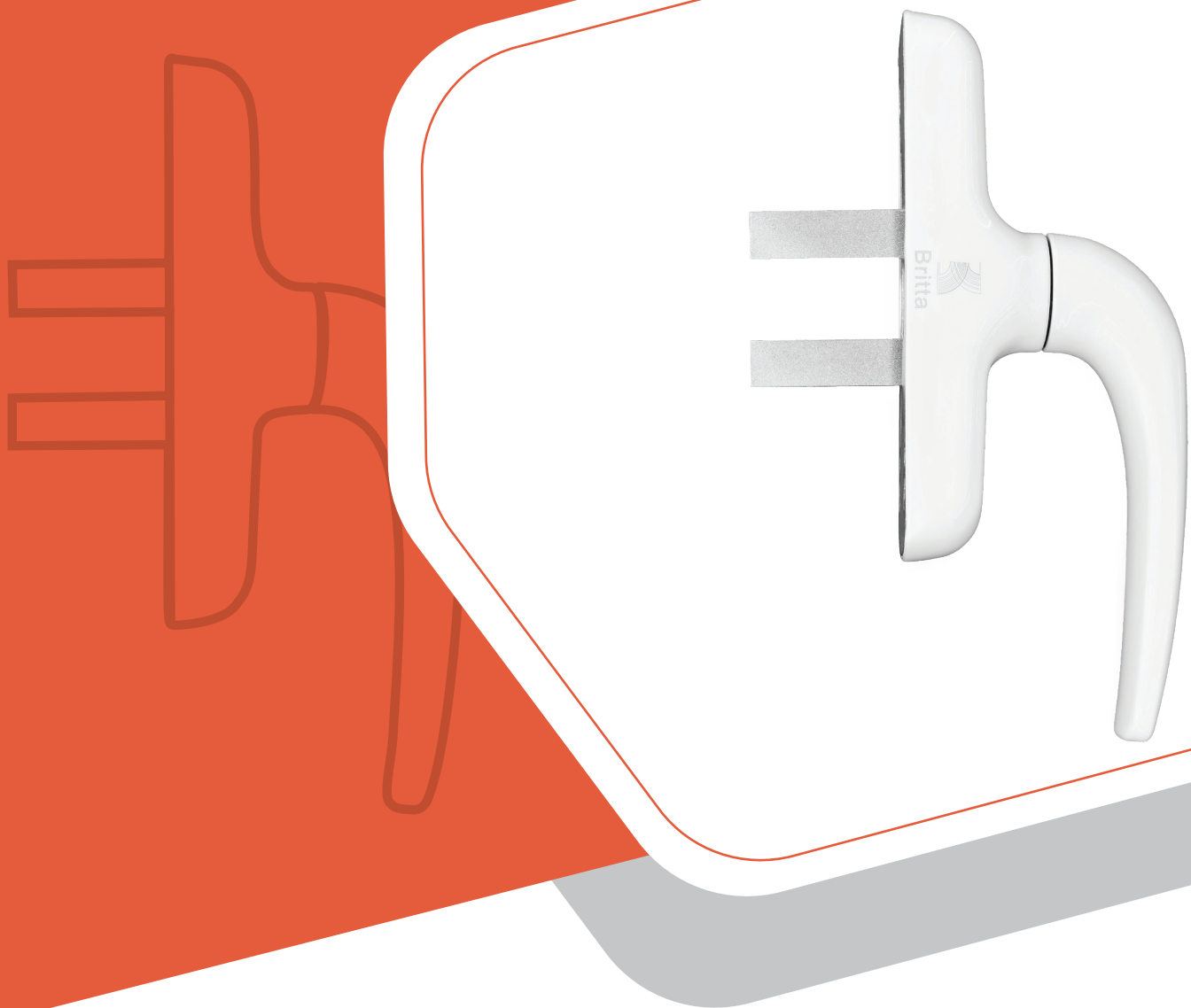


## Our Key Strength

---

Crafted from high-quality materials, a premium cremone handle is designed to withstand the test of time. Its durability ensures that it not only looks elegant but also maintains its performance, even with frequent use. The smooth, fluid movement of the handle reflects the fine engineering behind its construction, offering seamless operation without any stiffness or resistance.

Beyond functionality, an ideal cremone handle enhances the overall aesthetic of the window, adding a touch of sophistication to any space. Whether installed in a modern or traditional setting, its design should complement the style while offering lasting reliability. The assurance of long-lasting performance, coupled with its high-quality finish, makes it a timeless addition to any home or project, ensuring both beauty and practicality for years to come.



## WINDOW HANDLES



# EURO CREMONE HANDLE LONG SLIDER

## BR-5409

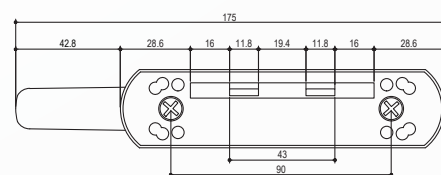
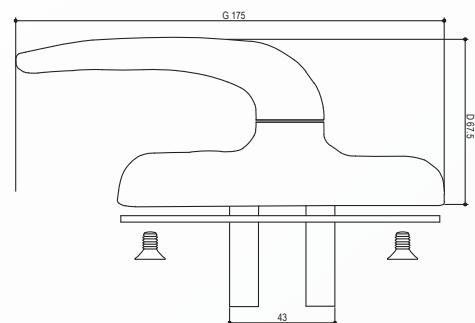
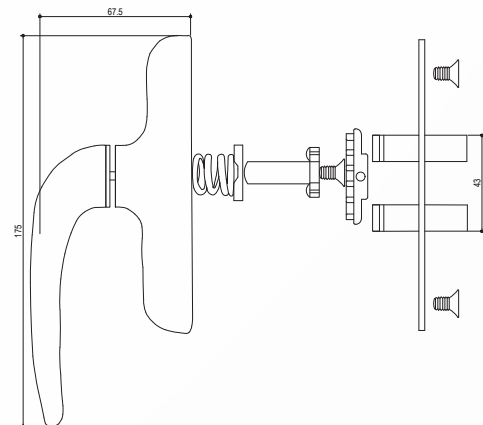


## Materials

Zinc Alloy  
Stainless Steel  
Plastic PA washer  
Extruded Aluminium

## Standard Finishes

Art No.	Colour	Dimensions (mm)	
		D	G
5409/1170	Beige	67.5	175
5409/1169	Black	67.5	175
5409/1168	White	67.5	175
5409/1171	Mill Finish	67.5	175



## Description

Featuring extruded aluminum, stainless steel, zinc alloy, and a plastic PA washer, this Cremone handle with a long slider offers smooth operation and reliable performance.

## Packing

30 pcs in each box

# EURO CREMONE HANDLE SINGLE PIN

## BR-5411

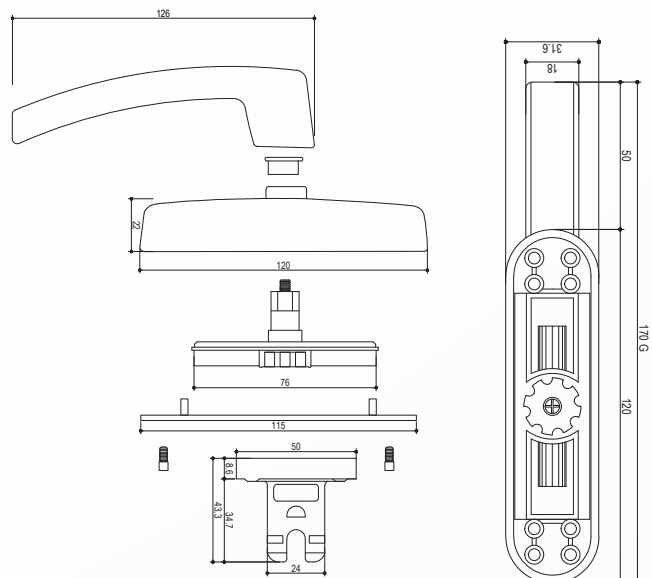
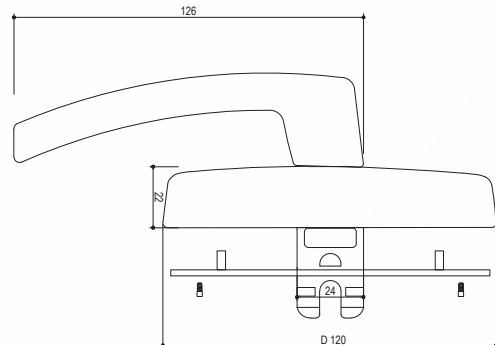


## Materials

Zinc Alloy  
Stainless Steel  
Plastic PA washer  
Extruded Aluminium

## Standard Finishes

Art No.	Colour	Dimensions (mm)	
		D	G
5411/2151	Beige	120	170
5411/2153	Black	120	170
5411/2152	White	120	170
5411/2472	Mill Finish	120	170



## Description

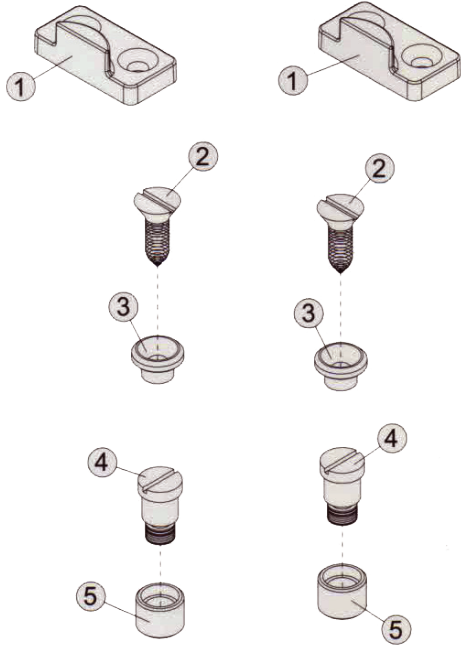
Made from extruded aluminum, stainless steel, zinc alloy, and a plastic PA washer, this roto-type Cremone handle provides smooth, reliable performance and secure locking.

## Packing

25 pcs in each box

# CREMONE HANDLE KIT - 1

## BR-5409 - 1



### Description

Slider Rail  
Self Tapping Screw  
Countersunk Housing (Cap)  
Fixing Screw  
Round Slider

### Materials

Zinc  
S.S 302  
S.S 303  
S.S 303  
Brass

### Packing

400 pcs in each box

## BR-5409 - 2

# CREMONE HANDLE KIT - 2

### Description

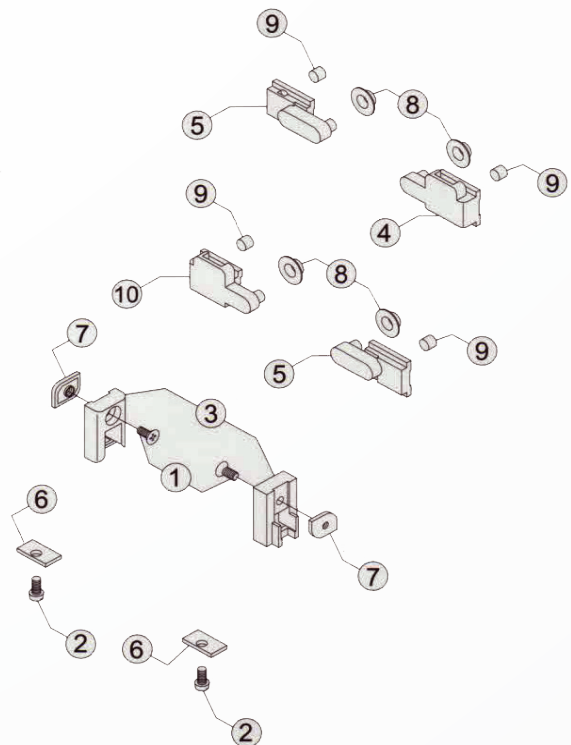
Screw  
Keeper  
Washer  
Spacer  
Filler  
Fillster Head Screw  
Sliding Bracket (R)  
Sliding Bracket (L)  
Connecting Bracket

### Materials

Steel  
Zinc  
Brass  
S.S 304  
Nylon 6

### Packing

300 pcs in each box



# DOMAL WINDOW HANDLE

## BR-5415

### Materials

Stainless Steel  
Plastic POM Roller  
Aluminium Die Casting

### Standard Finishes

Art No.	Colour
5415/2154	Beige
5415/2155	Black
5415/2156	White

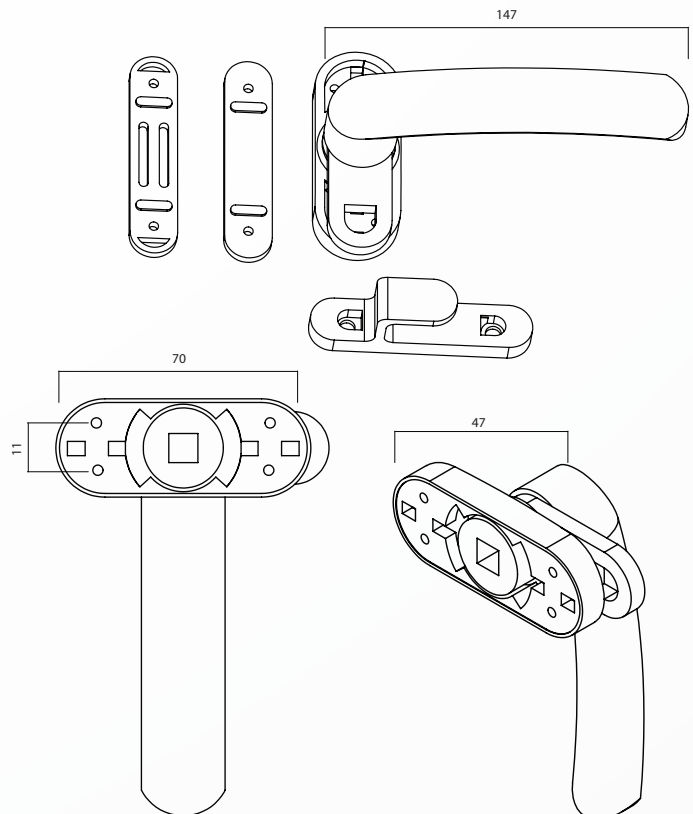


### Description

This heavy-duty window handle with a roller, constructed from aluminum die casting, plastic POM roller, and stainless steel, ensures smooth operation and long-lasting durability.

### Packing

50 pcs in each box



# Emerging Trends in HARDWARE SYSTEMS FOR ALUMINIUM DOOR & WINDOWS

As **sustainability** and modern design take center stage, the aluminum and hardware industries are evolving to meet these demands. A major trend is the growing focus on eco-friendly aluminum, with manufacturers prioritizing recycled materials to reduce environmental impact. This move supports green building initiatives, making aluminum a preferred material in sustainable architecture.

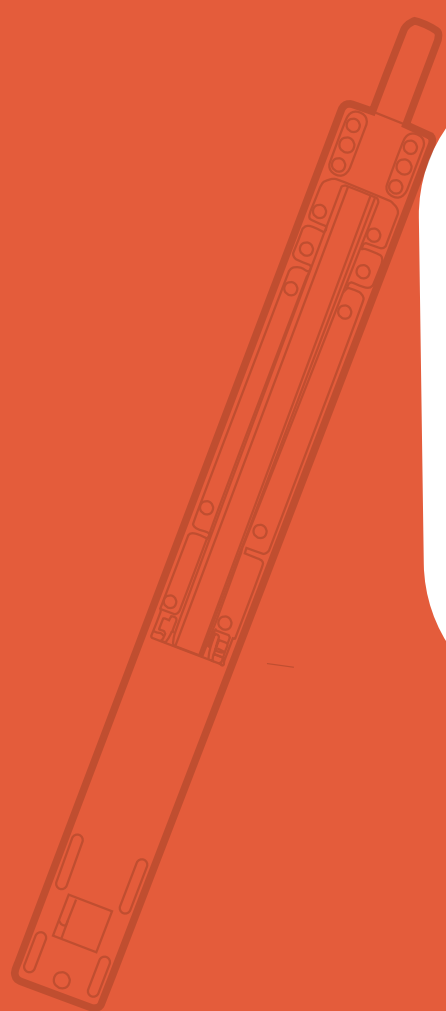


Another key trend is the adoption of **minimalist aluminum profiles**, which offer clean lines and slim designs, allowing for larger glass surfaces and more natural light. These profiles are not only visually appealing but also enhance energy efficiency, making them ideal for contemporary residential and commercial projects.

The use of **thermally broken aluminum** is also on the rise. By incorporating insulating barriers within the metal frames, these systems significantly reduce heat transfer, improving energy efficiency and comfort in both hot and cold climates. This makes them an excellent choice for high-performance, eco-conscious buildings.

Additionally, **custom finishes and textures** are gaining popularity, with architects opting for powder-coated or anodized aluminum in various colors and finishes, from matte to metallic. These trends reflect the growing emphasis on aesthetics, sustainability, and functionality in the aluminum and hardware industries.

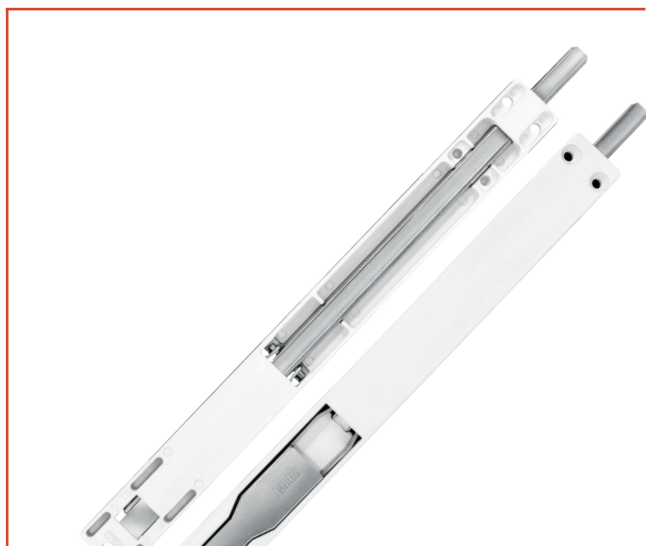




# LEVER BOLTS

# BRITTA LEVER BOLT

## BR - 5301 L



### Materials

Extruded Aluminium  
Stainless Steel

### Standard Finishes

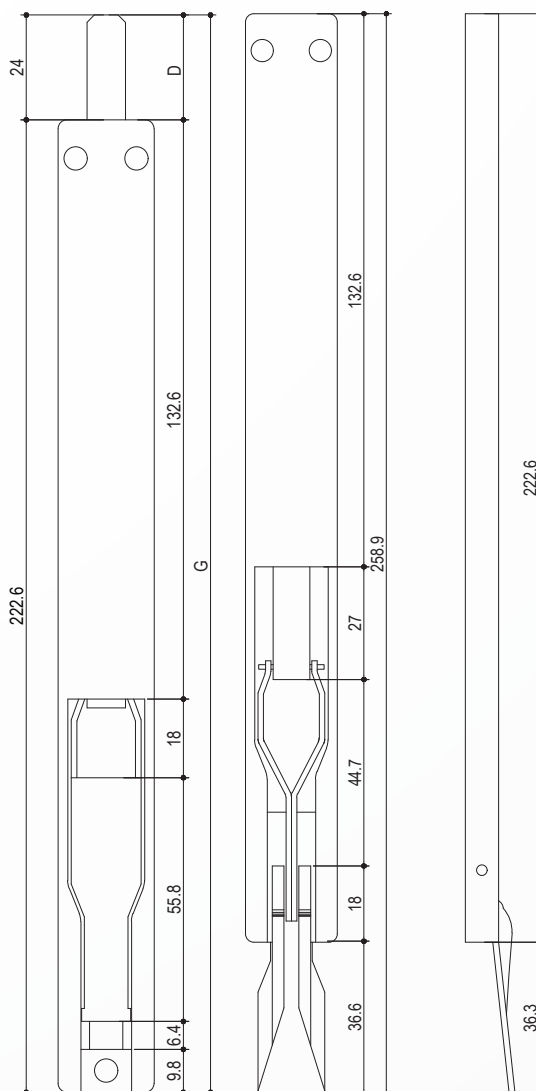
Art No.	Colour	Dimensions (mm)	
		D	G
5301L/2165	Beige	24	246.6
5301L/2164	Black	24	246.6
5301L/2163	White	24	246.6

### Description

Body in extruded aluminum; stainless steel control lever; stainless steel support and end block; stainless steel locking pin and self-tapping screws.

### Packing

100 pcs in each box.



# BRITTA LEVER BOLT

## BR - 5301 S



### Materials

Extruded Aluminium  
Stainless Steel

### Standard Finishes

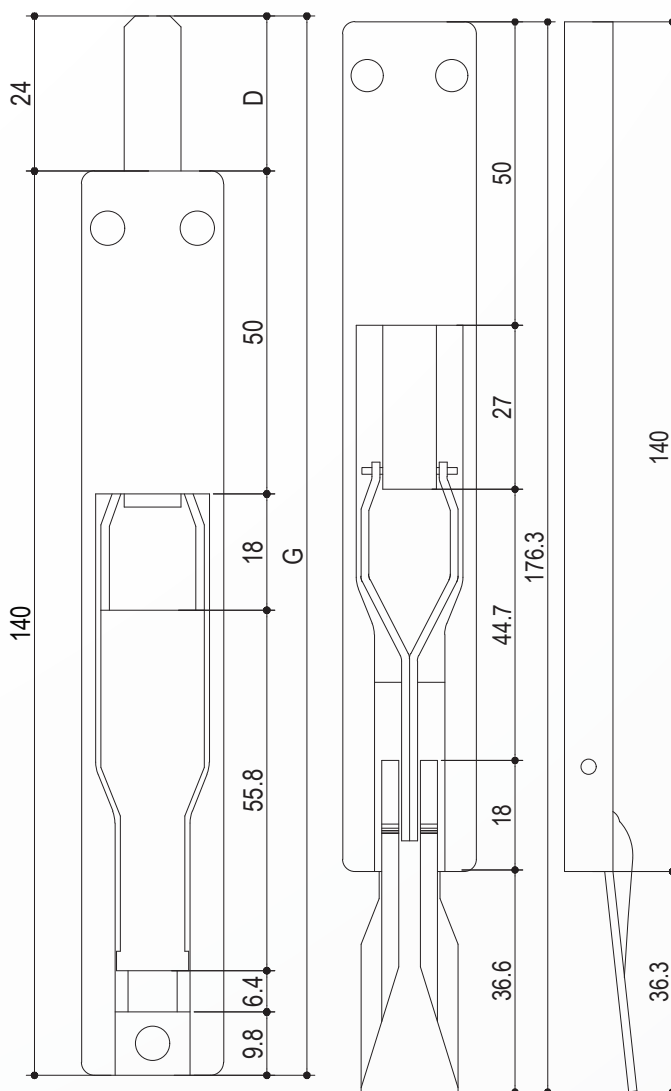
Art No.	Colour	Dimensions (mm)	
		D	G
5301S/2584	Beige	24	164
5301S/2585	Black	24	164
5301S/2583	White	24	164

### Description

Body in extruded aluminum; stainless steel control lever; stainless steel support and end block; stainless steel locking pin and self-tapping screws.

### Packing

100 pcs in each box.







# SLIDING DOOR & WINDOW LOCKS

# EURO KLIKK LOCK WITHOUT KEY

## BR-5305



## Materials

Zamak (Zinc Alloy)  
Steel

## Standard Finishes

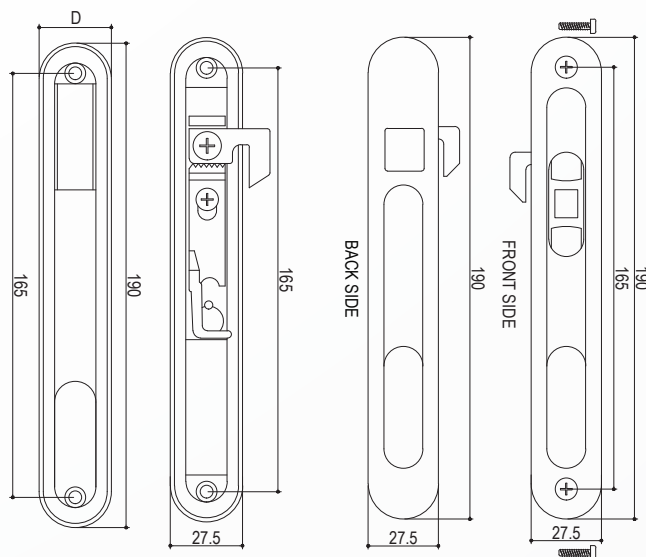
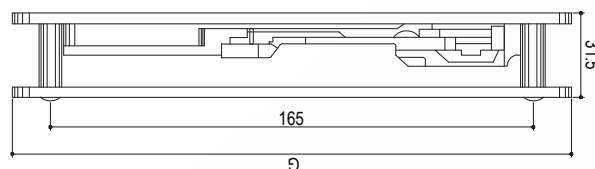
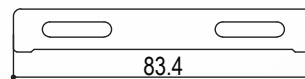
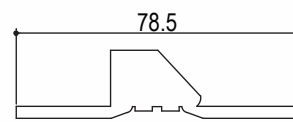
Art No.	Colour	Dimensions (mm)	
		D	G
5305/2806	Beige	27.5	190
5305/2805	Black	27.5	190
5305/2804	White	27.5	190

## Description

A window lock made from Zamak (zinc alloy) and ordinary steel, designed for reliable security without the need for a key.

## Packing

30 pcs in each box



# EURO KLICK LOCK WITH KEY

## BR-5306

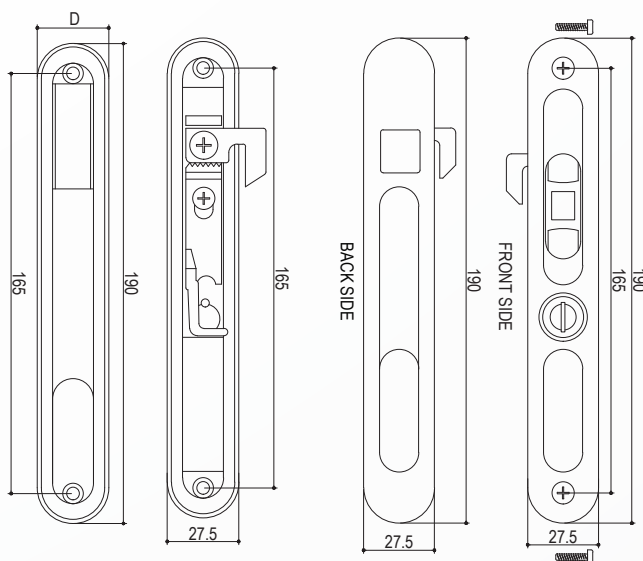
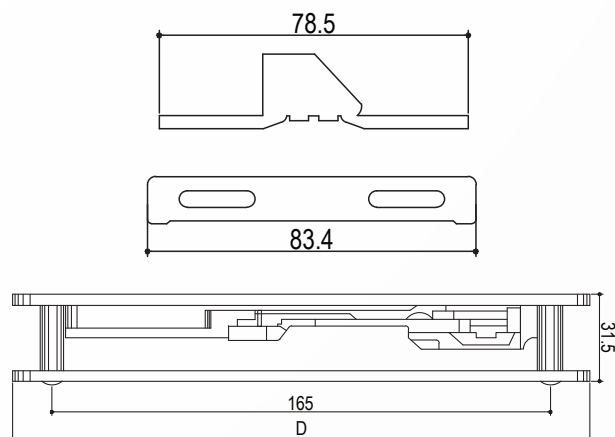


### Materials

Zamak (Zinc Alloy)  
Steel

### Standard Finishes

Art No.	Colour	Dimensions (mm)	
		D	G
5306/2814	Beige	27.5	190
5306/2811	Black	27.5	190
5306/2807	White	27.5	190



### Description

Featuring Zamak (zinc alloy) and steel, this window lock offers key-based security, providing enhanced protection.

### Packing

30 pcs in each box

OUR STORY

AT **BRITTA**



## MORTISE LOCK

Our journey began in this historic land, where the tradition of precision engineering and security was deeply rooted. Drawing inspiration from this legacy, we committed to producing mortise locks that are a perfect blend of traditional expertise and modern innovation. Each lock is meticulously crafted to ensure smooth functionality, offering users a seamless experience with every turn of the key.

Over the years, our mortise locks have become synonymous with trust and security, earning a reputation for their durability and resilience. Whether securing homes or commercial spaces, our locks provide the peace of mind that comes with knowing you have the best in class. From Aligarh's humble workshops to becoming a global standard, our mortise locks continue to uphold the values of quality and safety that our brand was built upon.

[www.brittaglobal.com](http://www.brittaglobal.com)



## DOOR LOCKS & CYLINDERS

# BRITTA MORTISE LOCK

**BR - 5307 (20mm)**



## Materials

Faceplate Material : SS 304  
Latch and Deadbolt material : Zinc Alloy / Metal  
Lock Case Material : Sheet Steel, Powder Coated

## Technical Specification

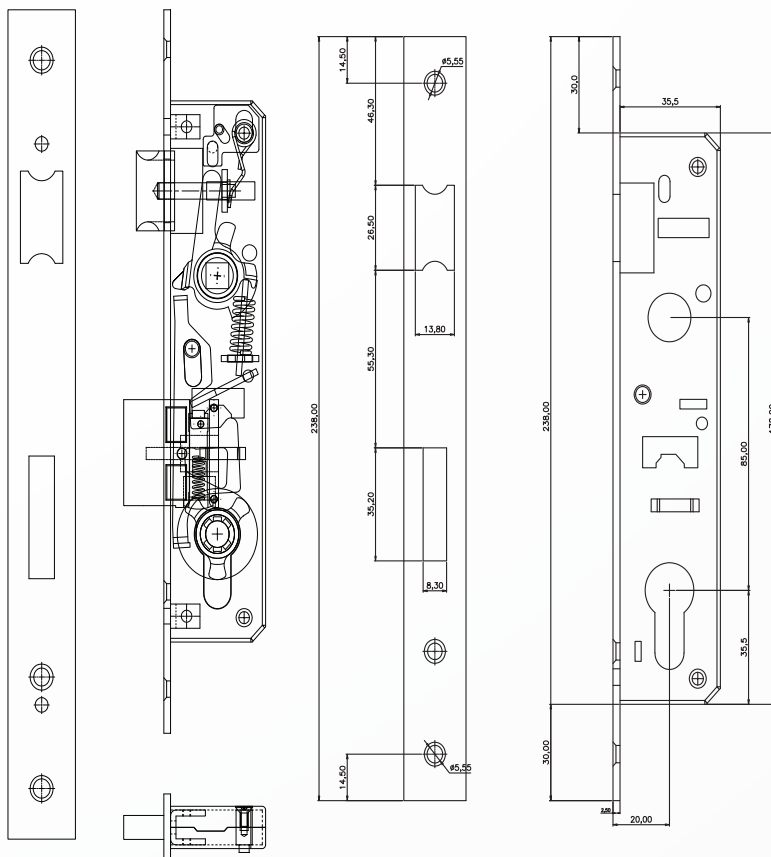
Backset : 20 mm  
Faceplate Width : 22 mm  
Centre Distance : 85 mm  
Follower : 8 mm  
Deadbolt : Single Turn  
Packing Unit : 1 piece

## Description

Britta Mortise lock for installation on aluminum/metal doors with narrow profiles in 20mm dimensions. The lock includes a reversible latch suitable for either left/right door direction with Enclosed Lock Case.

## Packing

30 pcs in each box



# BRITTA MORTISE LOCK

**BR - 5307 (30mm)**



## Materials

Faceplate Material : SS 304  
Latch and Deadbolt material : Zinc Alloy / Metal  
Lock Case Material : Sheet Steel, Powder Coated

## Technical Specification

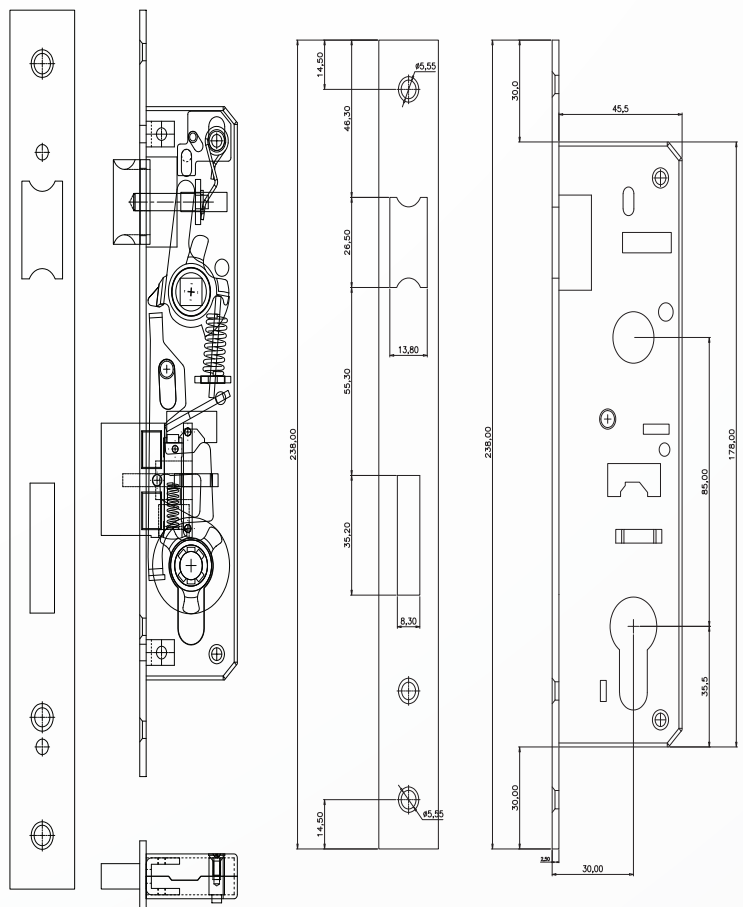
Backset : 30 mm  
Faceplate Width : 22 mm  
Centre Distance : 85 mm  
Follower : 8 mm  
Deadbolt : Single Turn  
Packing Unit : 1 piece

## Description

Britta Mortise lock for installation on aluminum/metal doors with narrow profiles in 30mm dimensions. The lock includes a reversible latch suitable for either left/right door direction with Enclosed Lock Case.

## Packing

30 pcs in each box



# BRITTA ROLLER LOCK

**BR - 5308 (20mm)**



## Materials

Faceplate Material : SS 304  
Latch and Deadbolt material : Zinc Alloy / Metal  
Lock Case Material : CRCA Sheet, Powder Coated

## Technical Specification

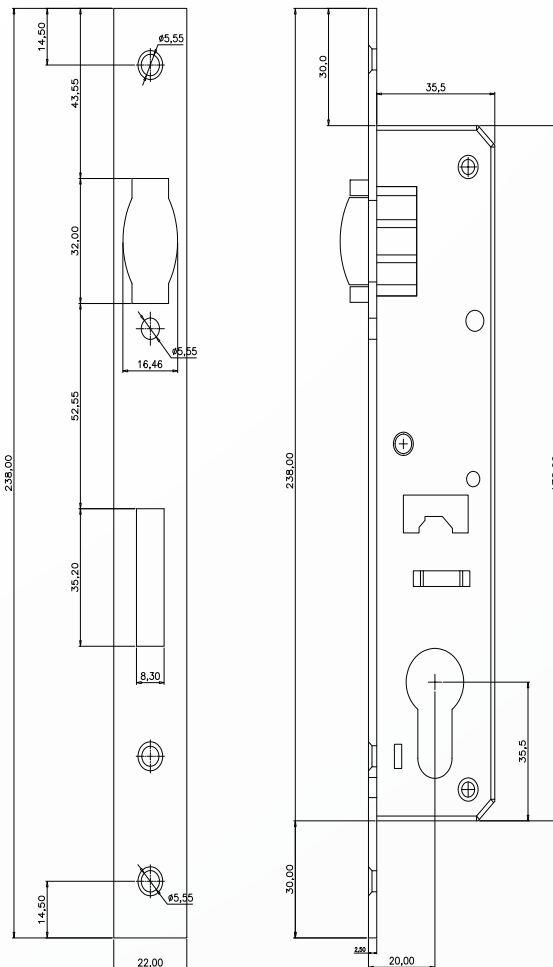
Backset : 20 mm  
Faceplate Width : 22 mm  
Centre Distance : 85 mm  
Follower : 8 mm  
Deadbolt : Single Turn  
Packing Unit : 1 piece

## Description

Britta Roller lock for installation on aluminum/-metal doors with narrow profiles in 20mm dimensions. The lock includes a reversible latch suitable for either left/right door direction with Enclosed Lock Case.

## Packing

30 pcs in each box





# BRITTA ROLLER LOCK

**BR - 5308 (30mm)**



## Materials

Faceplate Material : SS 304

Latch and Deadbolt material : Zinc Alloy / Metal

Lock Case Material : CRCA Steel, Powder Coated

## Technical Specification

Backset : 30 mm

Faceplate Width : 22 mm

Centre Distance : 85 mm

Follower : 8 mm

Deadbolt : Single Turn

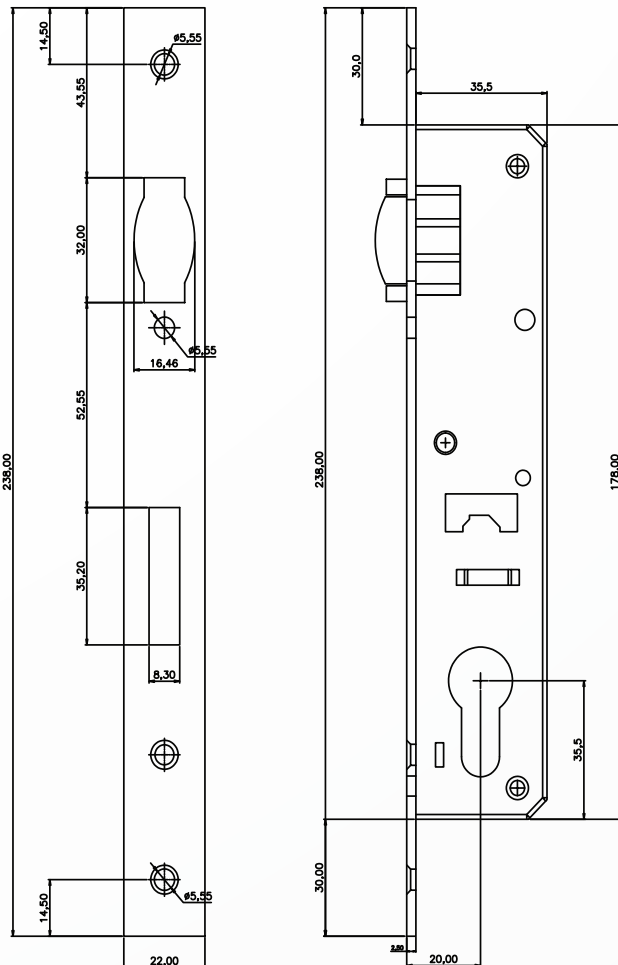
Packing Unit : 1 piece

## Description

Britta Roller lock for installation on aluminum/-metal doors with narrow profiles in 30mm dimensions. The lock includes a reversible latch suitable for either left/right door direction with Enclosed Lock Case.

## Packing

30 pcs in each box





# BRITTA CYLINDER FOR MORTISE LOCK

**BR - 5309 (70mm)**



## Materials

Cam: Steel  
 Pins: Brass  
 Key: IS 319 Brass  
 Body, Plug And Key: High Quality Brass

## Standard Finishes

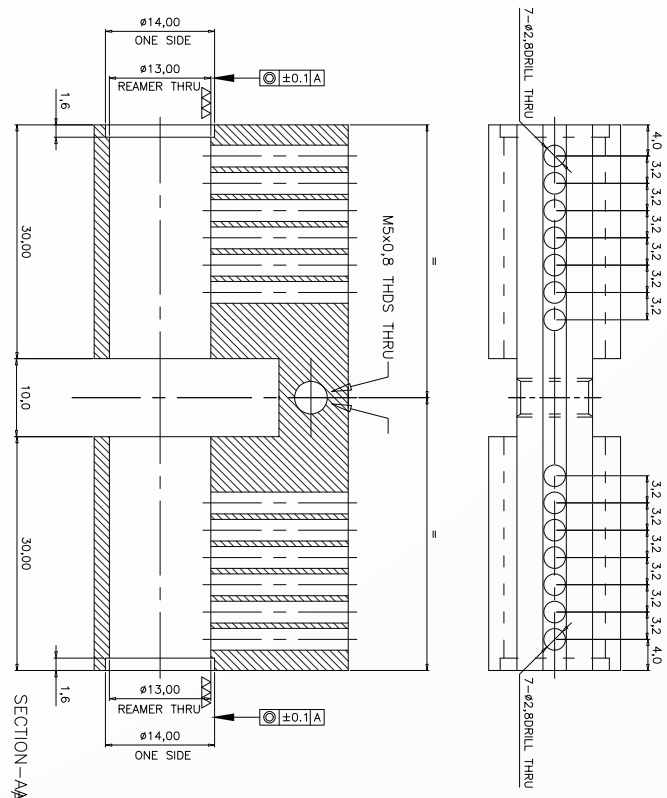
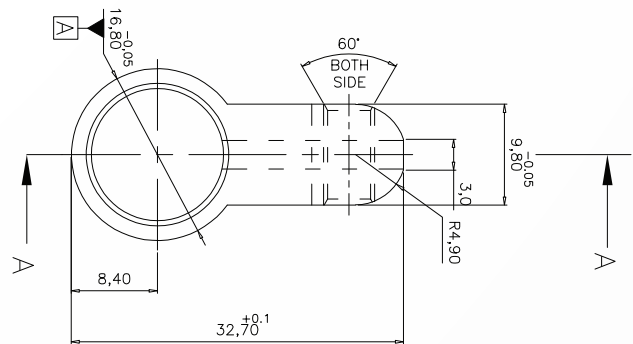
Satin Nickel, Polished Brass, Brush Brass,

## Description

Britta 70mm cylinders are compatible with locks and lock cases using Euro Profile Cylinder. Cylinders have 360 degree rotation by operating key or thumb turn. Double key cylinder, full key insertion disengages other side. 6 Pin Cylinder with solid profile pins. Available individually keyed or as a part of a Master Key suite as per customer requirements.

## Packing

25 pcs in each box with lock.



# BRITTA UNEQUAL LOCK CYLINDER

## BR - 5310 (80mm)



### Materials

- Cam: Steel
- Pins: Brass
- Key: IS 319 Brass
- Body, Plug And Key: High Quality Brass

### Standard Finishes

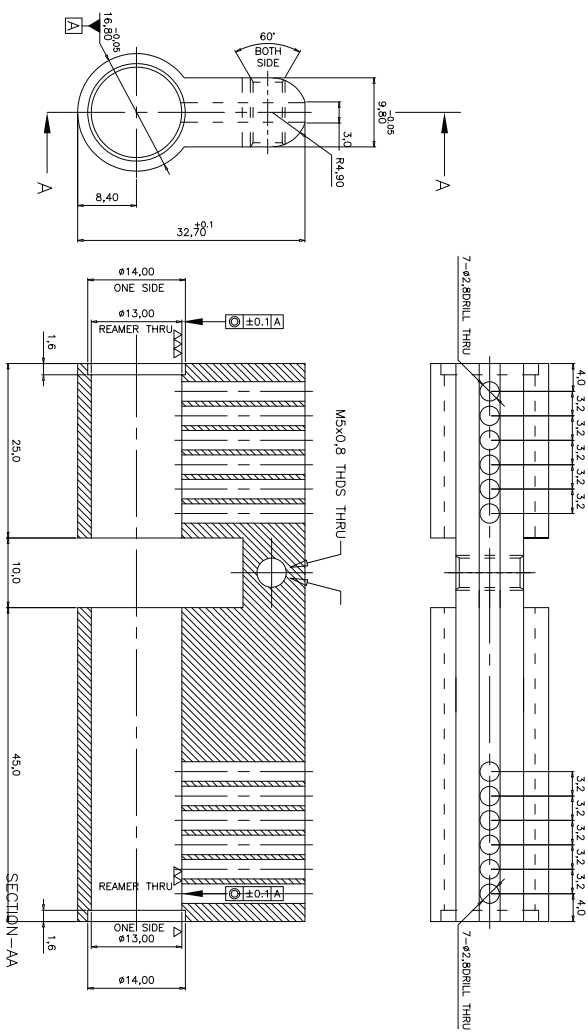
Satin Nickel, Polished Brass, Brush Brass,

### Description

Britta 60mm cylinders are compatible with locks and lock cases using Euro Profile Cylinder. Cylinders have 360 degree rotation by operating key or thumb turn. Double key cylinder, full key insertion disengages other side. 6 Pin Cylinder with solid profile pins. Available individually keyed or as a part of a Master Key suite as per customer requirements.

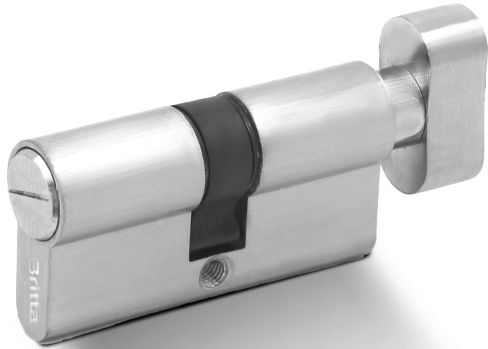
### Packing

25 pcs in each box with lock.



# BRITTA KNOB CYLINDER WITHOUT KEY

**BR - 5311 (60mm)**



## Materials

Cam: Steel  
Pins: Brass  
Key: IS 319 Brass  
Body, Plug And Key: High Quality Brass

## Standard Finishes

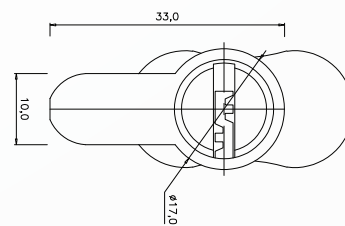
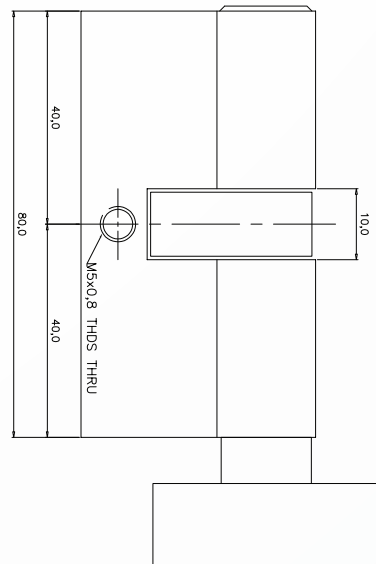
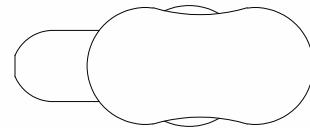
Satin Nickel, Polished Brass, Brush Brass,

## Description

Britta 60mm cylinders are compatible with locks and lock cases using Euro Profile Cylinder. Cylinders have 360 degree rotation by operating key or thumb turn. Double key cylinder, full key insertion disengages other side. 6 Pin Cylinder with solid profile pins. Available individually keyed or as a part of a Master Key suite as per customer requirements.

## Packing

25 pcs in each box with lock.



# BRITTA KNOB CYLINDER WITHOUT KEY

**BR - 5311 (70mm)**



## Materials

Cam: Steel  
Pins: Brass  
Key: IS 319 Brass  
Body, Plug And Key: High Quality Brass

## Standard Finishes

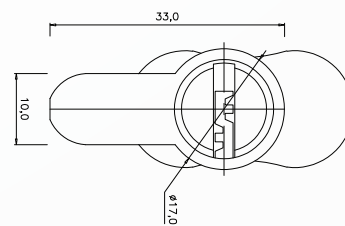
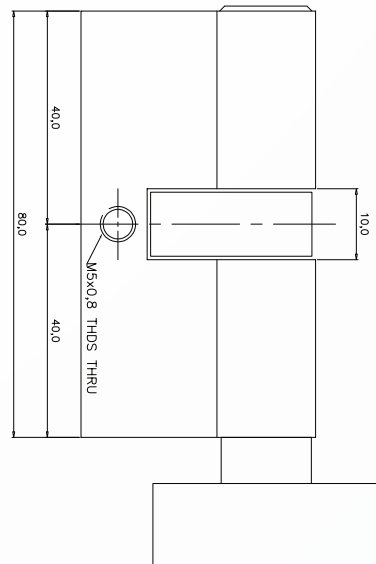
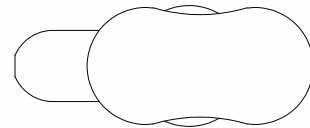
Satin Nickel, Polished Brass, Brush Brass,

## Description

Britta 70mm cylinders are compatible with locks and lock cases using Euro Profile Cylinder. Cylinders have 360 degree rotation by operating key or thumb turn. Double key cylinder, full key insertion disengages other side. 6 Pin Cylinder with solid profile pins. Available individually keyed or as a part of a Master Key suite as per customer requirements.

## Packing

25 pcs in each box with lock.



# BRITTA KNOB CYLINDER WITH KEY

**BR - 5312 (60mm)**



## Materials

Body, Plug And Key: High Quality Brass  
Cam: Steel  
Pins: Brass  
Key: IS 319 Brass

## Standard Finishes

Satin Nickel, Polished Brass, Brush Brass,  
Security 6 Pin Cylinder with solid profile pins  
Available individually keyed or as a part of a  
Master Key suite to customer requirements

## Description

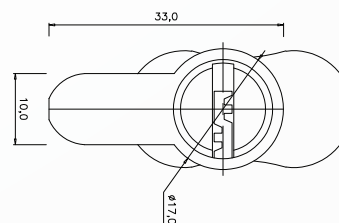
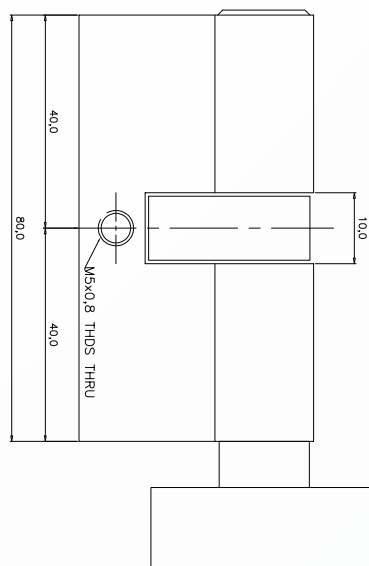
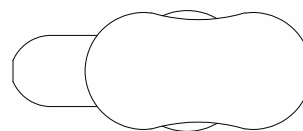
Britta 60mm cylinders are compatible with locks and lock cases using Euro Profile Cylinder. Cylinders have 360 degree rotation by operating key or thumb turn. Full key insertion disengages other side. 6 Pin Cylinder with solid profile pins. Available individually keyed or as a part of a Master Key suite as per customer requirements.

## Operation

360 degree rotation by operating key or thumb turn. Standard Double key cylinder, full key insertion disengages other side.

## Packing

30 pcs in each box with lock.



# BRITTA KNOB CYLINDER WITH KEY

**BR - 5312 (70mm)**



## Materials

Body, Plug And Key: High Quality Brass  
Cam: Steel  
Pins: Brass  
Key: IS 319 Brass

## Standard Finishes

Satin Nickel, Polished Brass, Brush Brass,  
Security 6 Pin Cylinder with solid profile pins  
Available individually keyed or as a part of a  
Master Key suite to customer requirements

## Description

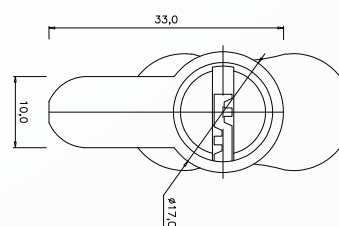
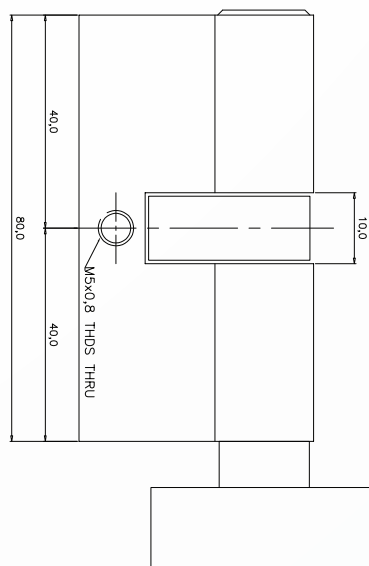
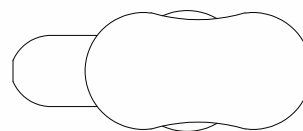
Britta 70mm cylinders are compatible with locks and lock cases using Euro Profile Cylinder. Cylinders have 360 degree rotation by operating key or thumb turn. Full key insertion disengages other side. 6 Pin Cylinder with solid profile pins. Available individually keyed or as a part of a Master Key suite as per customer requirements.

## Operation

360 degree rotation by operating key or thumb turn. Standard Double key cylinder, full key insertion disengages other side.

## Packing

30 pcs in each box with lock.







# FRICITION HINGES

# EURO HEAVY DUTY STAY ARM

## BR-5450

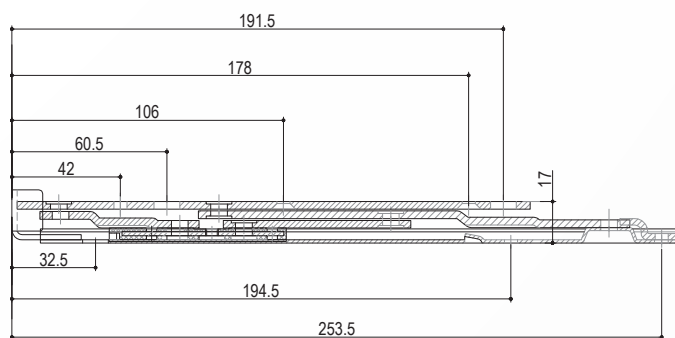


### Materials

Stainless Steel 304

### Standard Finishes

Art No.	Size (inch)	Open Angle	Wgt. Capacity
5450/5252	08 " (HD)	45°	30 Kg
5450/5253	10 " (HD)	45°	46 Kg
5450/5254	12 " (HD)	35°	52 Kg
5450/5255	14 " (HD)	35°	60 Kg

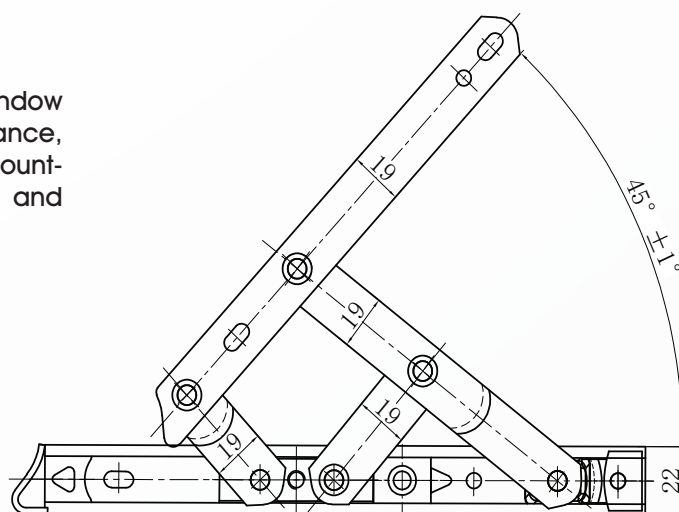


### Description

Constructed from SS304, these heavy-duty window stay arms range. Designed for robust performance, they ensure smooth articulation and secure mounting, ideal for large windows in commercial and residential applications.

### Packing

50 pairs in each box



# EURO HEAVY DUTY FRICTION HINGES

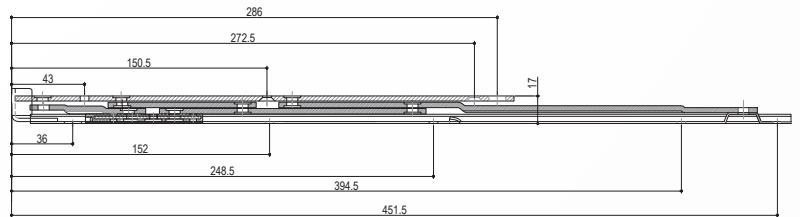
## BR-5450

### Materials

Stainless Steel 304

### Standard Finishes

Art No.	Size (inch)	Open Angle	Wgt. Capacity
5450/5256	16 " (HD)	30°	70 Kg
5450/5257	18 " (HD)	30°	76 Kg
5450/5258	20 " (HD)	25°	80 Kg
5450/5259	22 " (HD)	25°	84 Kg
5450/5260	24 " (HD)	25°	88 Kg

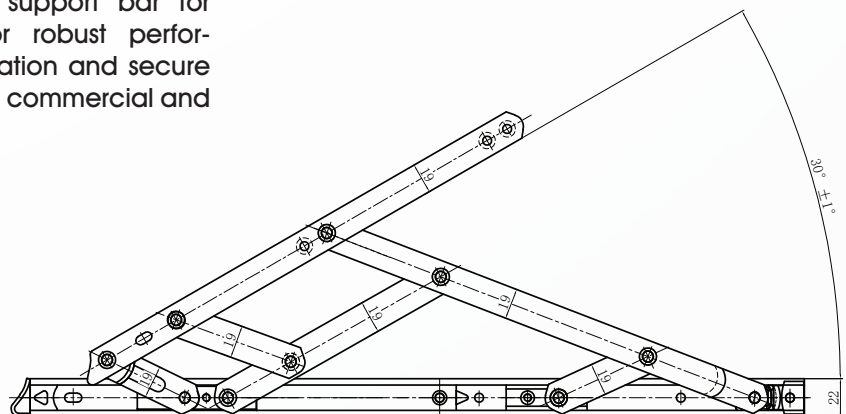


### Description

Constructed from SS304, these heavy-duty window stay arms feature an additional support bar for enhanced strength. Designed for robust performance, they ensure smooth articulation and secure mounting, ideal for large windows in commercial and residential applications.

### Packing

50 pairs in each box



# EURO HEAVY DUTY FRICTION HINGES

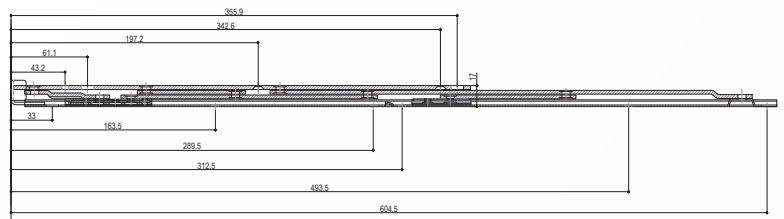
## BR-5450

### Materials

Stainless Steel 304

### Standard Finishes

Art No.	Size (inch)	Open Angle	Wgt. Capacity
5450/5261	26 " (HD)	25°	92 Kg
5450/5262	28 " (HD)	20°	96 Kg

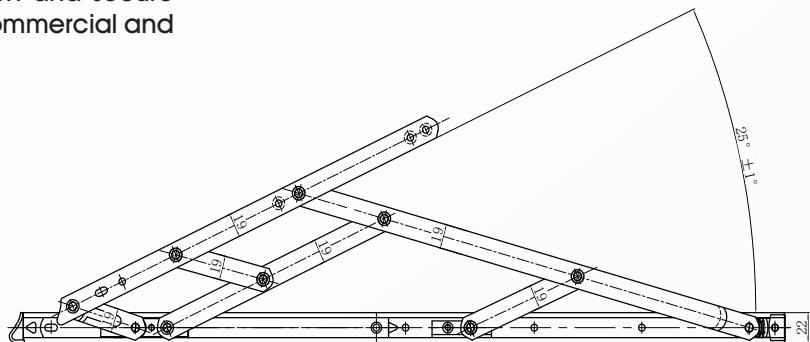


### Description

Constructed from SS304, these heavy-duty window stay arms feature an additional support bar for enhanced strength. Designed for robust performance, they ensure smooth articulation and secure mounting, ideal for large windows in commercial and residential applications.

### Packing

50 pairs in each box



# EURO SUPER HEAVY DUTY FRICTION HINGES

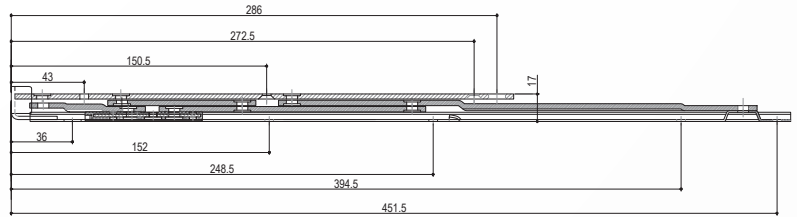
## BR-5451

### Materials

Stainless Steel 304

### Standard Finishes

Art No.	Size (inch)	Open Angle	Wgt. Capacity
5451/5267	16 " (SHD)	30°	74 Kg
5451/5268	18 " (SHD)	30°	80 Kg
5451/5269	20 " (SHD)	25°	84 Kg
5451/5270	22 " (SHD)	25°	88 Kg
5451/5271	24 " (SHD)	25°	92 Kg

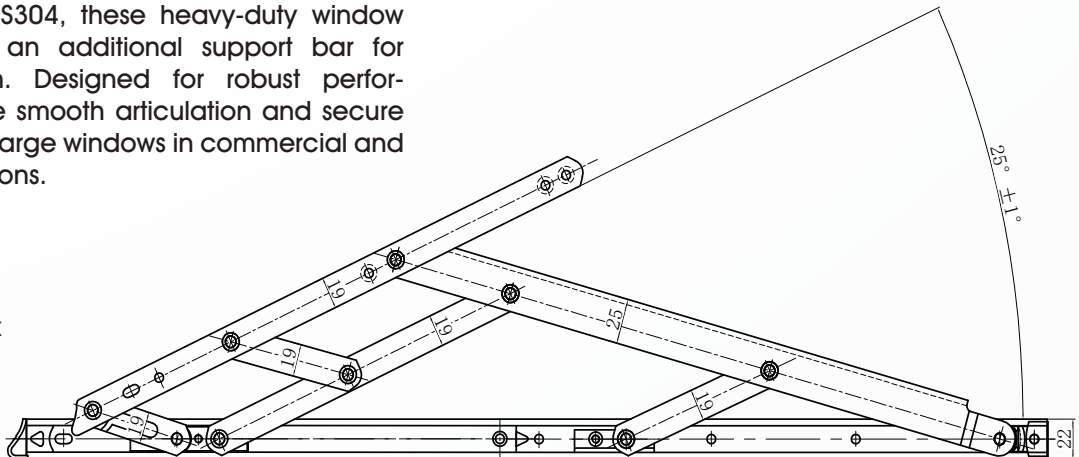


### Description

Constructed from SS304, these heavy-duty window stay arms feature an additional support bar for enhanced strength. Designed for robust performance, they ensure smooth articulation and secure mounting, ideal for large windows in commercial and residential applications.

### Packing

50 pairs in each box



# EURO SUPER HEAVY DUTY FRICTION HINGES

## BR-5451

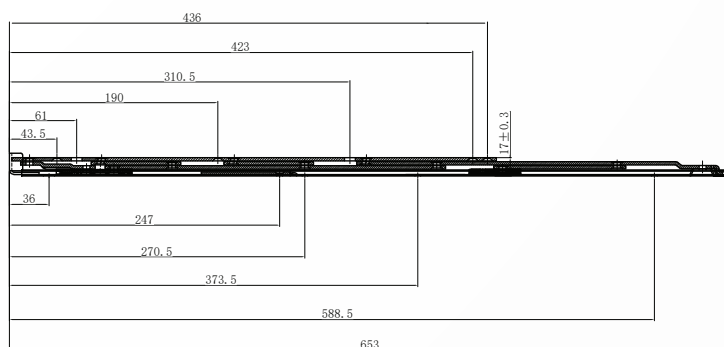


### Materials

Stainless Steel 304

### Standard Finishes

Art No.	Size (inch)	Open Angle	Wgt. Capacity
5451/5272	26" (SHD)	25°	96 Kg
5451/5273	28" (SHD)	20°	100 Kg

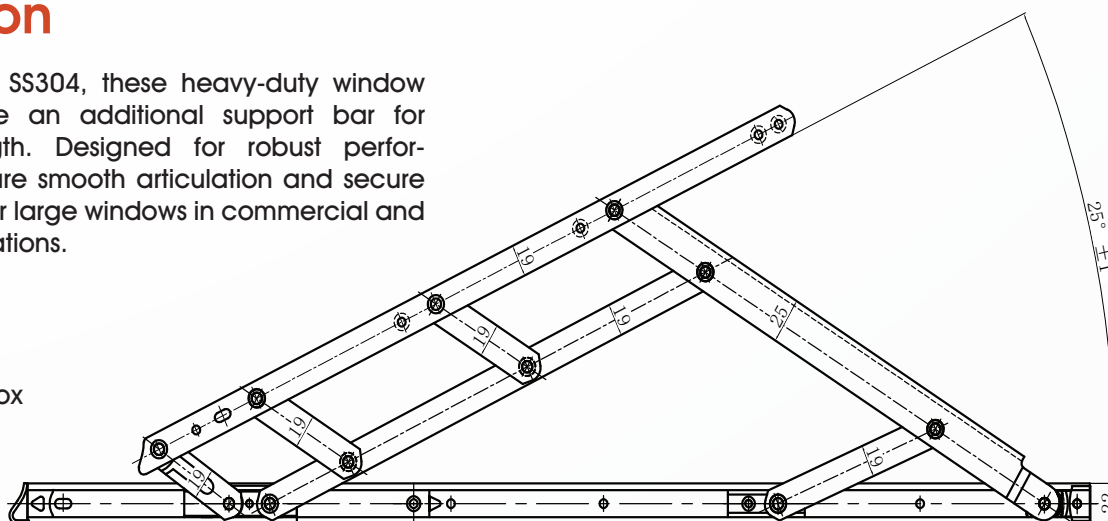


### Description

Constructed from SS304, these heavy-duty window stay arms feature an additional support bar for enhanced strength. Designed for robust performance, they ensure smooth articulation and secure mounting, ideal for large windows in commercial and residential applications.

### Packing

50 pairs in each box





## DOOR & WINDOW HINGES

# EURO GROOVE HINGES

## BR - 5201



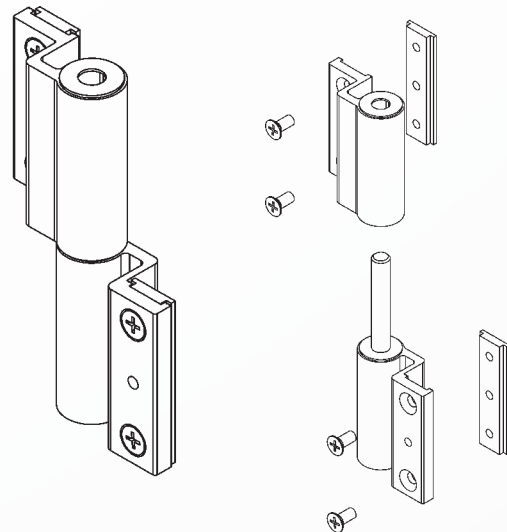
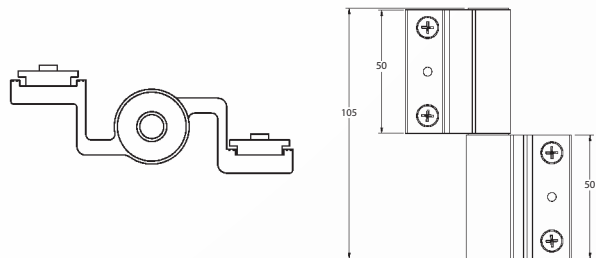
### Materials

Extruded aluminum hinge alloy, Fixing plate, pin, and screws: stainless steel

- 1 pc. Male hinge
- 1 pc. Female hinge
- 1 Nylon bush
- 1 Stainless steel plate 19,5
- 1 Stainless steel plate 17,5
- 4 Stainless steel screws M5 x 10
- 2 Stainless steel Allen screws

### Standard Finishes

Art No.	Colour	Dimensions (mm)	
		D	G
5201/2473	Beige	50	105
5201/1203	Black	50	105
5201/1173	White	50	105
5201/1706	Mill Finish	50	105



### Description

Reversible type hinges are designed and manufactured with a special fixing system. 4 separate stainless-steel screws in the materials provided; Two Allen screws are included, so the hinge bearing capacity is significantly increased, which is 80 kg per hinge pair.

### Packing

72 pcs in each box



# EURO GROOVE HINGES 3 LEAF

## BR - 5201 A



### Materials

Extruded aluminum hinge alloy, Fixing plate, pin, and screws: stainless steel

- 2 pc. Male hinge
- 1 pc. Female hinge
- 2 Nylon bush
- 2 Stainless steel plate 19,5
- 1 Stainless steel plate 17,5
- 6 Stainless steel screws M5 x 10
- 3 Stainless steel Allen screws

### Standard Finishes

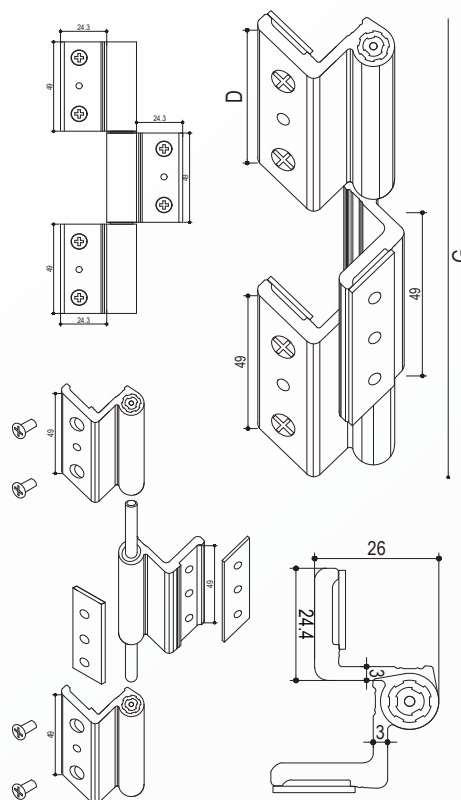
Art No.	Colour	Dimensions (mm)	
		D	G
5201A/2476	White	49	150
5201A/2475	Black	49	150
5201A/2474	White	49	150

### Description

Reversible type hinges are designed and manufactured with a special fixing system. 3 Allen screws are included, so the hinge bearing capacity is significantly increased, which is 100 kg per hinge pair. The results achieved are the result of technical tests conducted by BRITTA in all categories.

### Packing

60 pcs in each box

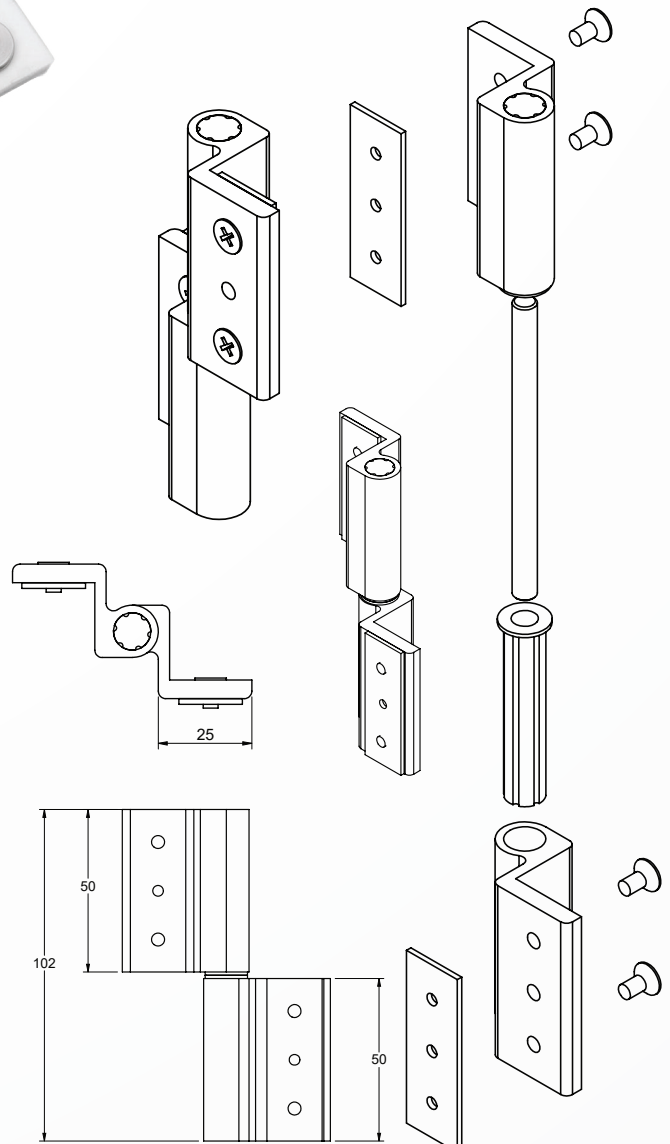


# EURO HINGES 2 LEAF HEAVY DUTY

## BR-5205

### Materials

Nylon Bush  
Plastic Cap  
Stainless Steel  
Extruded Aluminium



### Description

Engineered from extruded aluminum, stainless steel, plastic cap, and nylon bush, these heavy-duty hinges ensure exceptional strength and reliability.

### Packing

25 pcs in each box

# EUROPEAN HEAVY DUTY 2 LEAF HINGES

## BR - 5206



### Materials

Extruded aluminum hinge alloy, Fixing plate, pin, and screws: stainless steel

- 1 pc. Male hinge
- 2 pc. Female hinge
- 2 Nylon bush
- 6 Stainless steel screws M5 x 10
- 3 Stainless steel Allen screws

### Standard Finishes

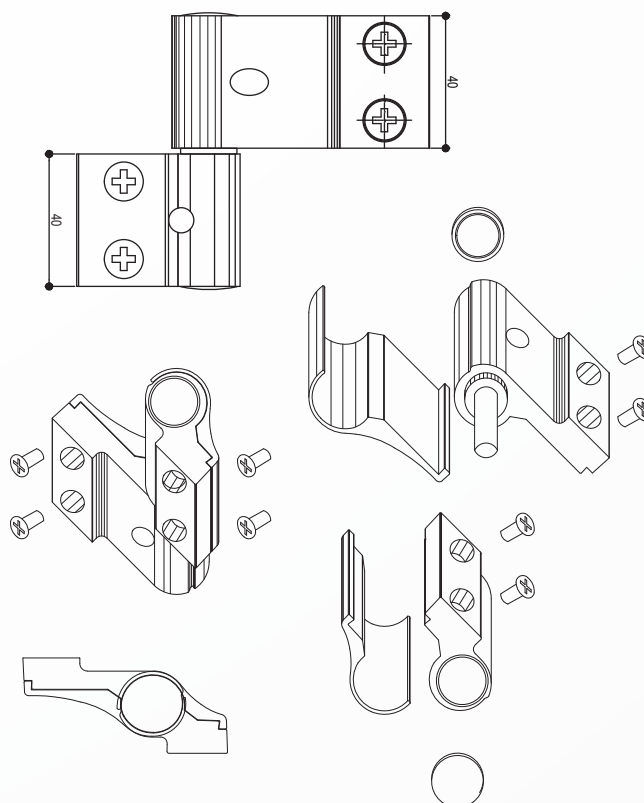
Art No.	Colour	Dimensions (mm)	
		D	G
5206/2159	Beige	40	40
5206/2158	Black	40	40
5206/2612	White	40	40
5206 /2157	Mill Finish	40	40

### Description

Three-leaf hinge in extruded aluminium. Upper bush in zamak, pre-assembled on rectified stainless steel pin. Lower bush in zamak, pre-assembled on rectified stainless steel pin. Snap-in screws cover plates in extruded aluminium. The caps are in nylon. When the door is in the closed position, the hinge is adjustable in the three directions: horizontal, vertical and in pressure of the gasket; the adjustments are micrometric and independent of one another. It has an anti-theft system. Hinges fits thermal break profiles through a fastening kit provided with special self-tapping screws, or cold profiles through a fastening kit with counter-plates. Capacity of 80Kg

### Packing

25 pcs in each box



# EUROPEAN HEAVY DUTY 3 LEAF HINGES

## BR - 5206 A



### Materials

Extruded aluminum hinge alloy, Fixing plate, pin, and screws: stainless steel

- 1 pc. Male hinge
- 2 pc. Female hinge
- 2 Nylon bush
- 6 Stainless steel screws M5 x 10
- 3 Stainless steel Allen screws

### Standard Finishes

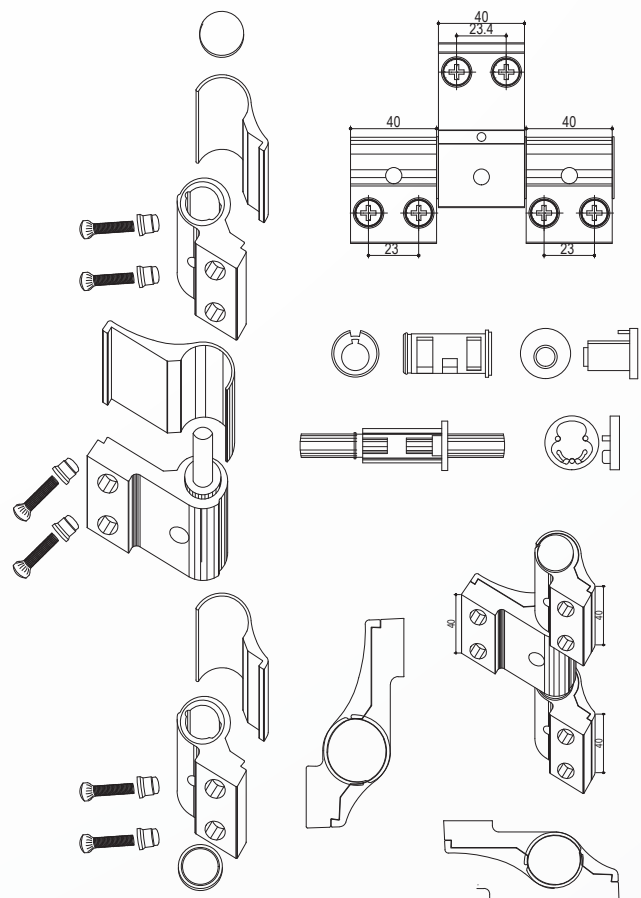
Art No.	Colour	Dimensions (mm)	
		D	G
5206A/2160	Beige	40	120
5206A/2161	Black	40	120
5206A/2162	White	40	120
5206A /2611	Mill Finish	40	120

### Description

Three-leaf hinge in extruded aluminium. Upper bush in zamak, pre-assembled on rectified stainless steel pin. Lower bush in zamak, pre-assembled on rectified stainless steel pin. Snap-in screws cover plates in extruded aluminium. The caps are in nylon. When the door is in the closed position, the hinge is adjustable in the three directions: horizontal, vertical and in pressure of the gasket; the adjustments are micrometric and independent of one another. It has an anti-theft system. Hinges fits thermal break profiles through a fastening kit provided with special self-tapping screws, or cold profiles through a fastening kit with counter-plates. Capacity of 160Kg

### Packing

25 pcs in each box





## WHEELS & ROLLERS

# EURO OPEN ROLLER

## BR-5102

### Description

These box rollers crafted from extruded aluminium combined with PA 6 plastic. They offer durability and smooth operation, suitable for sliding doors and windows. Engineered with precision, they ensure reliable performance and minimal friction, enhancing usability and longevity in both residential and commercial settings.

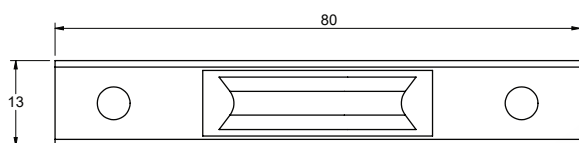
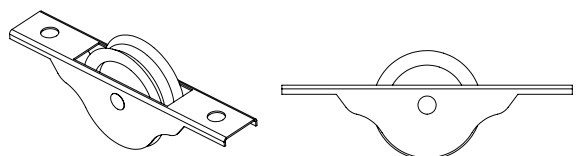
Weight Capacity : 50 KG

### Packing

400 pcs in each box

### Materials

Plastics, Stainless Steel



## BR-5103

# EURO BOX ROLLER

### Description

These box rollers crafted from extruded aluminium combined with PA 6 plastic. They offer durability and smooth operation, suitable for sliding doors and windows. Engineered with precision, they ensure reliable performance and minimal friction, enhancing usability and longevity in both residential and commercial settings.

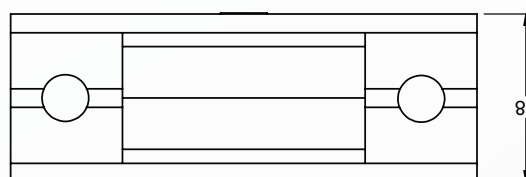
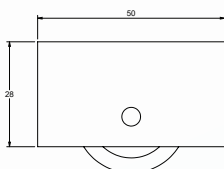
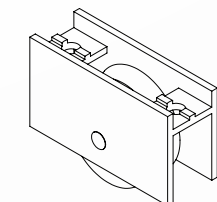
Weight Capacity : 50 KG

### Packing

288 pcs in each box

### Materials

Plastic PA6/6,  
Extruded Aluminum



# EURO JUMBO BOX ROLLER

## BR-5104

### Description

These box rollers crafted from extruded aluminium combined with PA 6 plastic. They offer durability and smooth operation, suitable for sliding doors and windows. Engineered with precision, they ensure reliable performance and minimal friction, enhancing usability and longevity in both residential and commercial settings.

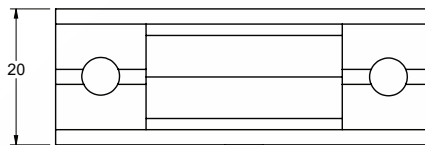
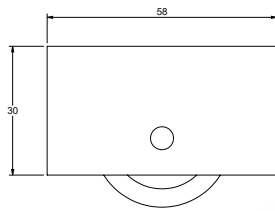
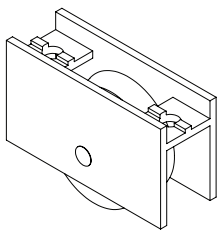
Weight Capacity : 75 KG

### Packing

250 pcs in each box

### Materials

Plastic PA6/6,  
Extruded Aluminum



## BR - 5105

# EURO DOUBLE BOX ROLLER

### Description

These box rollers crafted from extruded aluminium combined with PA 6 plastic. They offer durability and smooth operation, suitable for sliding doors and windows. Engineered with precision, they ensure reliable performance and minimal friction, enhancing usability and longevity in both residential and commercial settings.

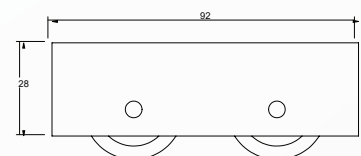
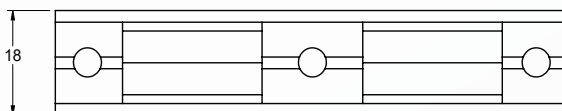
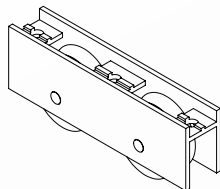
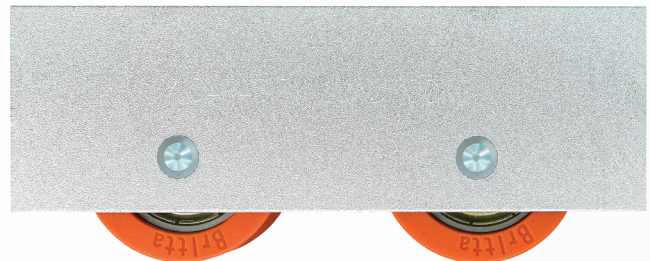
Weight Capacity : 100 KG

### Packing

150pcs in each box

### Materials

Plastic PA6/6,  
Extruded Aluminum



OPTIMIZING  
**ALUMINIUM & HARDWARE**  
SOLUTIONS



Issue : Loose or Wobbly Handles

Cause: Over time, the screws securing aluminum door handles may loosen due to frequent use or vibration.

Solution : Regularly check and tighten the screws. Consider using thread-locking adhesive to keep screws securely in place. If the problem persists, upgrade to a handle with more secure mounting hardware.

**Issue: Roller Damage**

Cause: The rollers on aluminum sliding doors can wear out over time, especially if they carry heavy loads.

Solution: Inspect the rollers periodically and replace them with high-quality, durable alternatives.

**Issue: Difficulty Sliding**

Cause: Dirt, debris, or wear on the sliding track can cause aluminum doors to stick or move unevenly.

Solution: Clean the track regularly to remove debris and apply a silicone-based lubricant to ensure smooth operation. Replace worn rollers or tracks as needed.

Issue: Squeaking or Stiff Movement in Hinges

Cause: Lack of lubrication or debris buildup in the hinge mechanism.

Solution: Regularly apply a lubricant designed for aluminum, such as silicone spray, to the hinges. Clean the hinges to remove any debris or dirt that could cause friction.







Britta



**MARKETING AND DISTRIBUTED BY : SKYMAT BUILDING MATERIALS TRADING LLC**